

⚡ Specifications

Nominal Voltage(V)

12V

Nominal Capacity

| | | |
|--------------|-----------------|---------|
| 20 hour rate | (5A to 10.50V) | 100Ah |
| 10 hour rate | (10A to 10.80V) | 100Ah |
| 5 hour rate | (17A to 10.20V) | 85Ah |
| 1 hour rate | (60A to 9.60V) | 60Ah |
| 1C | (100A to 9.60V) | 63.33Ah |

Weight

Approx. 29.0kg(63.8Lbs.)

Internal Resistance (at 1KHz)

Approx. 5 mΩ

Maximum Discharge Current for

5 seconds:1200A

Charging Methods at 25°C(77°F)

| | |
|----------------------------|----------------|
| Cycle use: | |
| Charging Voltage | 14.4 to 15.0V |
| Coefficient | -5.0mV/°C/cell |
| Maximum Charging Current : | 30A |
| Standby use: | |
| Float Charging Voltage | 13.5 to 13.8V |
| Coefficient | -3.0mV/°C/cell |

Operating Temperature Range

| | | | |
|-----------|------------|----|-------------|
| Charge | -15°C(5°F) | to | 40°C(104°F) |
| Discharge | -15°C(5°F) | to | 50°C(122°F) |
| Storage | -15°C(5°F) | to | 40°C(104°F) |

Charge Retention (shelf life) at 20°C(68°F)

| | |
|---------|-----|
| 1 month | 98% |
| 3 month | 94% |
| 6 month | 85% |

Case Material

ABS UL94 HB
Option: Flammability resistance of (UL94 V-0)

Design Life

EUROBAT(20°C) : > 12 YEARS VERY LONG LIFE

Terminal

F15



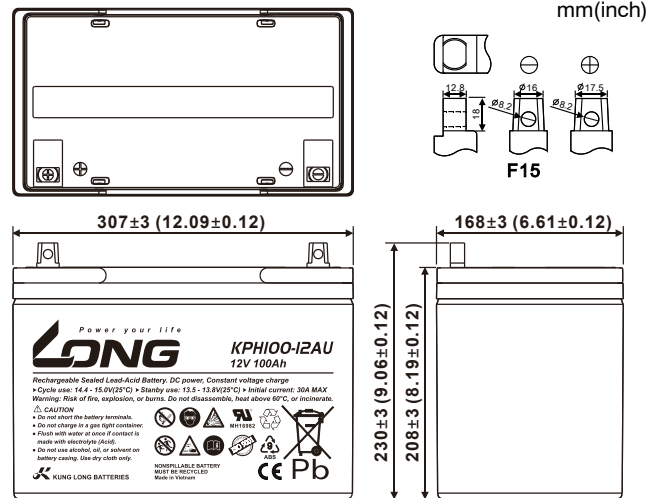
⚡ Dimensions

Length (L) 307±3 (12.09±0.12)

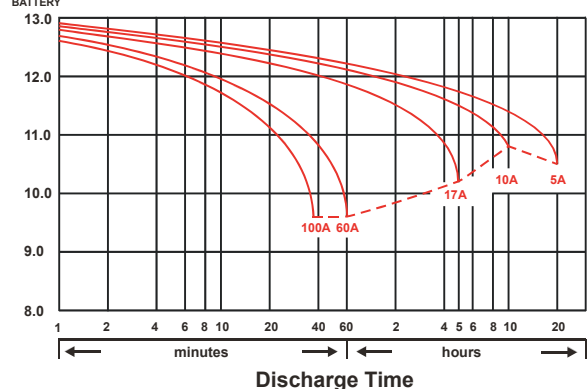
Width (W) 168±3 (6.61±0.12)

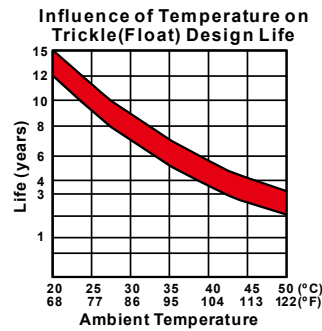
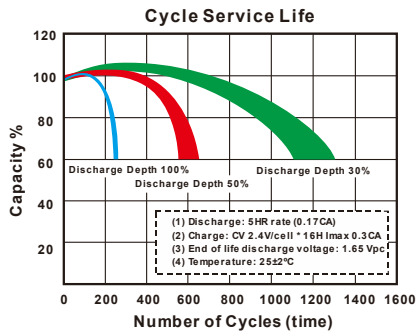
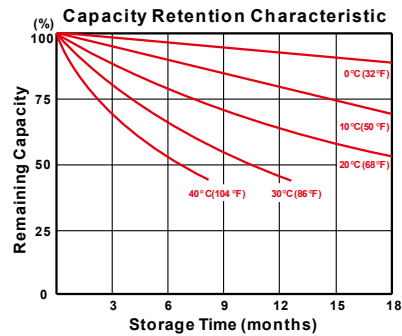
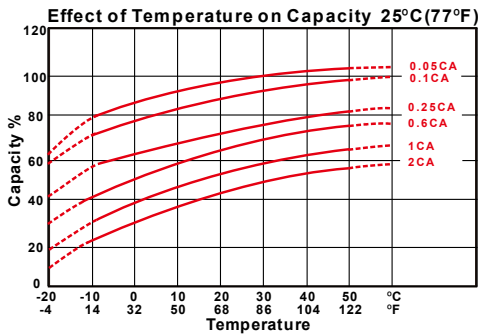
Height (H) 208±3 (8.19±0.12)

Overall Height (HT) 230±3 (9.06±0.12)



(V) FOR 12V BATTERY Discharge Time VS. Discharge Current (25°C)





- PERFORMANCE DATA

Discharge Rates in Watts to Various End Voltages at 25°C (77°F)

| End Voltage | | 1.85V | 1.80V | 1.75V | 1.70V | 1.67V | 1.65V | 1.60V |
|-------------|-----|-------|-------|-------|-------|-------|-------|-------|
| Time | | | | | | | | |
| 15 | min | 319 | 349 | 374 | 384 | 394 | 402 | 410 |
| 20 | min | 276 | 289 | 300 | 305 | 308 | 310 | 312 |
| 30 | min | 193 | 203 | 210 | 218 | 222 | 227 | 230 |
| 60 | min | 89.8 | 100 | 109 | 117 | 124 | 131 | 138 |
| 90 | min | 87.5 | 92.0 | 92.9 | 93.3 | 93.5 | 93.7 | 93.8 |
| 120 | min | 68.3 | 71.6 | 74.2 | 75.1 | 75.8 | 76.5 | 77.0 |
| 180 | min | 52.6 | 54.5 | 55.5 | 56.5 | 57.3 | 58.1 | 58.8 |
| 240 | min | 35.1 | 37.2 | 39.2 | 40.4 | 41.6 | 42.4 | 43.2 |
| 300 | min | 33.8 | 35.5 | 36.7 | 37.0 | 37.3 | 37.5 | 37.7 |
| 600 | min | 18.9 | 19.5 | 19.9 | 20.1 | 20.3 | 20.5 | 20.7 |
| 1200 | min | 10.3 | 10.6 | 10.9 | 11.1 | 11.2 | 11.3 | 11.4 |

- Discharge Rates in Amperes to Various End Voltages at 25°C (77°F)

| End Voltage | | 1.85V | 1.80V | 1.75V | 1.70V | 1.67V | 1.65V | 1.60V |
|-------------|-----|-------|-------|-------|-------|-------|-------|-------|
| Time | | | | | | | | |
| 15 | min | 166 | 186 | 201 | 211 | 216 | 221 | 225 |
| 20 | min | 145 | 155 | 162 | 167 | 171 | 175 | 178 |
| 30 | min | 98.5 | 105 | 110 | 114 | 118 | 122 | 126 |
| 60 | min | 60.0 | 62.2 | 64.1 | 65.9 | 67.2 | 68.5 | 69.6 |
| 90 | min | 48.1 | 49.5 | 50.5 | 51.0 | 51.2 | 51.4 | 51.6 |
| 120 | min | 36.2 | 37.2 | 38.1 | 38.6 | 39.0 | 39.3 | 39.5 |
| 180 | min | 27.9 | 28.8 | 29.4 | 29.7 | 30.0 | 30.2 | 30.4 |
| 240 | min | 18.4 | 19.4 | 20.1 | 20.3 | 20.5 | 20.6 | 20.7 |
| 300 | min | 15.6 | 16.5 | 17.2 | 17.7 | 18.0 | 18.2 | 18.4 |
| 600 | min | 9.70 | 10.0 | 10.2 | 10.4 | 10.5 | 10.6 | 10.7 |
| 1200 | min | 5.07 | 5.23 | 5.36 | 5.38 | 5.40 | 5.42 | 5.44 |

All data on the spec. sheet is an average value:

The tolerance range : $X < 6\text{min}$ (+15%~-15%), $6\text{min} \leq X < 10\text{min}$ (+12%~-12%), $10\text{min} \leq X < 60\text{min}$ (+8%~-8%), $X \geq 60\text{min}$ (+5%~-5%)

140525-1L