

⚡ Specifications

Nominal Voltage(V)

2V

Nominal Capacity

10 hour rate	(60A to 1.80V)	600Ah
5 hour rate	(102A to 1.70V)	510Ah
1 hour rate	(360A to 1.60V)	360Ah
1 C	(600A to 1.60V)	300Ah

Weight

Approx. 36kg(79.2Lbs.)

Internal Resistance (at 1KHz)

Approx. 0.5 mΩ

Maximum Discharge Current for

5 seconds: 3600A

Charging Methods at 25°C(77°F)

Cycle use:	
Charging Voltage	2.33 to 2.36V
Coefficient -5.0mV/°C/cell	
Maximum Charging Current :	180A
Standby use:	
Float Charging Voltage	2.21 to 2.25V
Coefficient -3.0mV/°C/cell	

Operating Temperature Range

Charge	-15°C(5°F)	to	40°C(104°F)
Discharge	-15°C(5°F)	to	50°C(122°F)
Storage	-15°C(5°F)	to	40°C(104°F)

Charge Retention (shelf life) at 20°C(68°F)

1 month	98%
3 month	94%
6 month	85%

Case Material

ABS UL94 HB
Option: Flammability resistance of (UL94 V-0)

Design Life

EUROBAT(20°C) : >12 YEARS VERY LONG LIFE

Terminal

F18



⚡ Dimensions

Length (L) 241±3 (9.49±0.12)

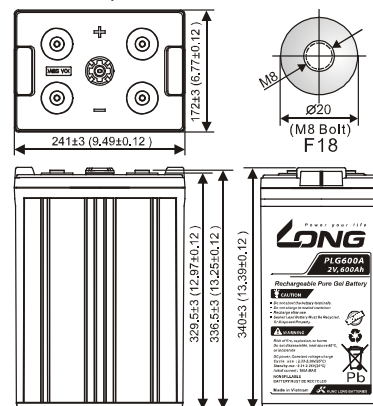
Width (W) 172±3 (6.77±0.12)

Height (H) 329.5±3 (12.97±0.12)

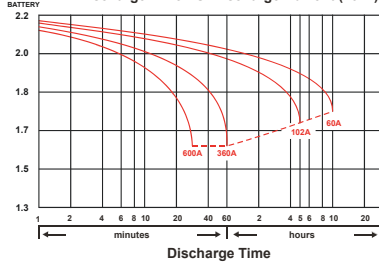
Overall Height (HT) 340±3 (13.39±0.12)

Description of torque value of hardware for the terminals:

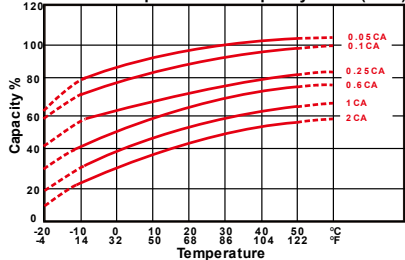
Recommended torque value M8:12 N-m (122kgf-cm)
Maximum allowable torque value M8:20 N-m (204kgf-cm)



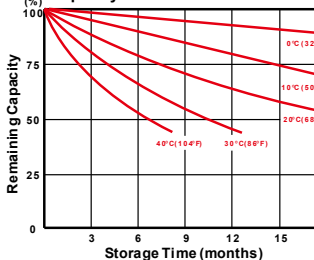
(N) FOR EV BATTERY Discharge Time VS. Discharge Current (25°C)



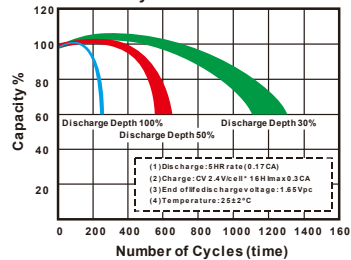
Effect of Temperature on Capacity 25 °C(77°F)



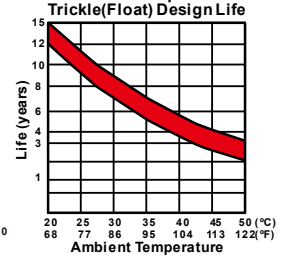
Capacity Retention Characteristic



Cycle Service Life



Influence of Temperature on Trickle(Float) Design Life



200125-1E