

### Specifications

#### Nominal Voltage(V)

12V

#### Nominal Power

15 mins rate: 260W/cell to 1.67V/cell

#### Nominal Capacity

20 hour rate	(3.75A to 10.50V)	75Ah
10 hour rate	(7.125A to 10.50V)	71.25Ah
8 hour rate	(8.625A to 10.50V)	69Ah
5 hour rate	(12.75A to 10.20V)	63.75Ah

#### Weight

Approx. 25.5kg(56.1Lbs.)

#### Internal Resistance (at 1KHz)

Approx. 3.5 mΩ

#### Maximum Discharge Current for

5 seconds: 900A

#### Charging Methods at 25°C(77°F)

Maximum Charging Current :	22.5A
Boost Charging Voltage	14.10 to 14.40V
Boost Charge Time	8-9Hr
Float Charging Voltage	13.50 to 13.65V
Coefficient	-3.0mV/°C/cell

#### Operating Temperature Range

Charge	-15°C(5°F)	to	40°C(104°F)
Discharge	-15°C(5°F)	to	50°C(122°F)
Storage	-15°C(5°F)	to	40°C(104°F)

#### Charge Retention (shelf life) at 20°C(68°F)

1 month	98%
3 month	96%
6 month	94%

#### Case Material

ABS UL94 HB  
Option: Flammability resistance of (UL94 V-0)



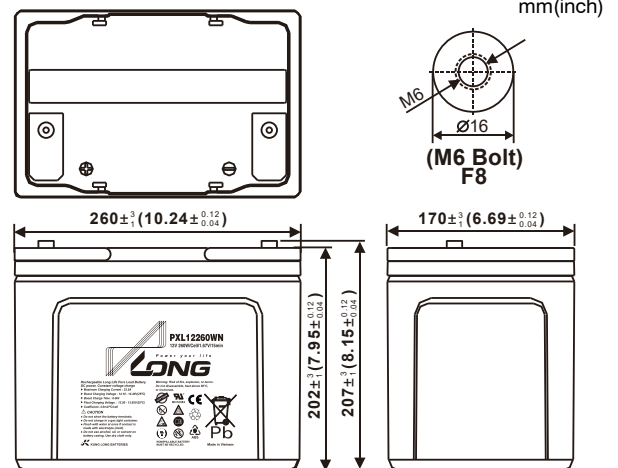
### Dimensions

Length (L)  $260 \pm_{-1}^{+3}$  (10.24  $\pm_{-0.04}^{+0.12}$ )

Width (W)  $170 \pm_{-1}^{+3}$  (6.69  $\pm_{-0.04}^{+0.12}$ )

Height (H)  $202 \pm_{-1}^{+3}$  (7.95  $\pm_{-0.04}^{+0.12}$ )

Overall Height (HT)  $207 \pm_{-1}^{+3}$  (8.15  $\pm_{-0.04}^{+0.12}$ )

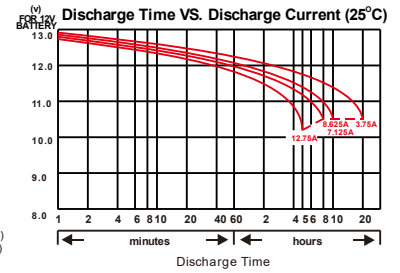
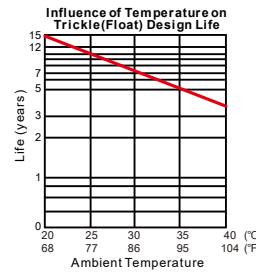
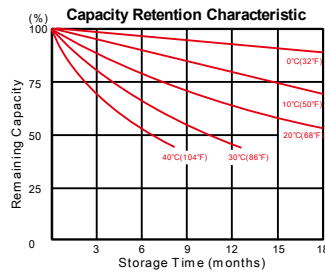
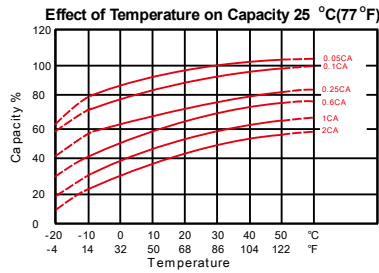


#### Terminal

F8  
Recommended torque value M6: 7 N-m (71 kgf-cm)  
Maximum allowable torque value M6: 10 N-m (102 kgf-cm)

#### Design Life

15 years



### PERFORMANCE DATA

#### Discharge Rates in Watts to Various End Voltages at 25°C(77°F)

End Voltage		1.85V	1.80V	1.75V	1.70V	1.67V	1.65V	1.60V
Time								
2	min	412	476	530	576	616	652	690
4	min	396	447	489	519	538	554	567
5	min	385	432	467	492	510	523	530
6	min	369	408	441	467	484	494	498
8	min	337	365	389	405	416	424	430
10	min	299	326	345	353	356	358	360
15	min	228	243	253	260	266	272	277
20	min	199	214	222	229	235	240	243
30	min	151	161	167	171	173	174	175
40	min	125	134	141	147	149	151	152
45	min	113	119	124	127	129	131	133
60	min	86.1	91.7	96.2	96.9	97.2	97.3	97.4
90	min	67.6	68.8	69.7	70.2	70.5	70.7	70.8
120	min	52.5	54.1	55.3	55.9	56.2	56.4	56.5
180	min	37.0	37.7	38.1	38.4	38.6	38.7	38.8
240	min	29.0	29.5	30.0	30.3	30.5	30.6	30.7
300	min	24.6	24.9	25.2	25.4	25.6	25.7	25.8
480	min	16.1	16.4	16.6	16.8	17.0	17.1	17.2
600	min	13.2	13.7	14.2	14.5	14.7	14.8	14.9
1200	min	6.80	7.02	7.23	7.39	7.50	7.57	7.61

#### Discharge Rates in Amperes to Various End Voltages at 25°C(77°F)

End Voltage		1.85V	1.80V	1.75V	1.70V	1.67V	1.65V	1.60V
Time								
2	min	219	258	294	332	366	394	417
4	min	205	243	273	296	315	330	340
5	min	198	230	257	278	296	310	321
6	min	190	218	241	262	277	288	294
8	min	172	196	215	229	240	248	256
10	min	150	171	187	196	199	201	203
15	min	120	130	139	146	151	156	158
20	min	102	110	115	120	124	128	131
30	min	78.5	81.6	84.3	86.6	88.2	89.3	90.2
40	min	65.5	69.4	71.9	74.2	76.2	77.8	79.1
45	min	58.6	62.4	64.3	65.4	66.2	66.8	67.2
60	min	45.5	47.5	49.1	50.1	50.7	51.1	51.3
90	min	35.1	36.1	36.8	37.3	37.7	38.0	38.2
120	min	27.4	28.5	29.3	29.9	30.3	30.6	30.8
180	min	18.4	19.5	20.3	20.9	21.2	21.4	21.5
240	min	14.4	15.0	15.4	15.7	15.9	16.1	16.2
300	min	12.3	12.7	12.9	13.2	13.3	13.4	13.5
480	min	8.02	8.38	8.65	8.77	8.82	8.85	8.87
600	min	6.65	6.98	7.27	7.35	7.39	7.41	7.42
1200	min	3.51	3.68	3.83	3.88	3.89	3.90	3.91

All data on the spec. sheet is an average value:

The tolerance range :  $X < 6\text{min}$  (+15%~-15%),  $6\text{min} \leq X < 10\text{min}$  (+12%~-12%),  $10\text{min} \leq X < 60\text{min}$  (+8%~-8%),  $X \geq 60\text{min}$  (+5%~-5%)

020625-1B