

### Specifications

#### Nominal Voltage(V)

12V

#### Nominal Power

15 mins rate: 750W/cell to 1.67V/cell

#### Nominal Capacity

20 hour rate	(10A	to	10.50V)	200Ah
10 hour rate	(20A	to	10.50V)	200Ah
8 hour rate	(23A	to	10.50V)	184Ah
5 hour rate	(34A	to	10.20V)	170Ah

#### Weight

Approx. 61.6kg(135.5Lbs.)

#### Internal Resistance (at 1KHz)

Approx. 2.2 mΩ

#### Maximum Discharge Current for

5 seconds: 1200A

#### Charging Methods at 25°C(77°F)

Maximum Charging Current :	60A
Boost Charging Voltage	14.10 to 14.40V
Boost Charge Time	8-9Hr
Float Charging Voltage	13.50 to 13.65V
Coefficient	-3.0mV/°C/cell

#### Operating Temperature Range

Charge	-15°C(5°F)	to	40°C(104°F)
Discharge	-15°C(5°F)	to	50°C(122°F)
Storage	-15°C(5°F)	to	40°C(104°F)

#### Charge Retention (shelf life) at 20°C(68°F)

1 month	98%
3 month	96%
6 month	94%

#### Case Material

ABS UL94 HB

Option: Flammability resistance of (UL94 V-0)



### Dimensions

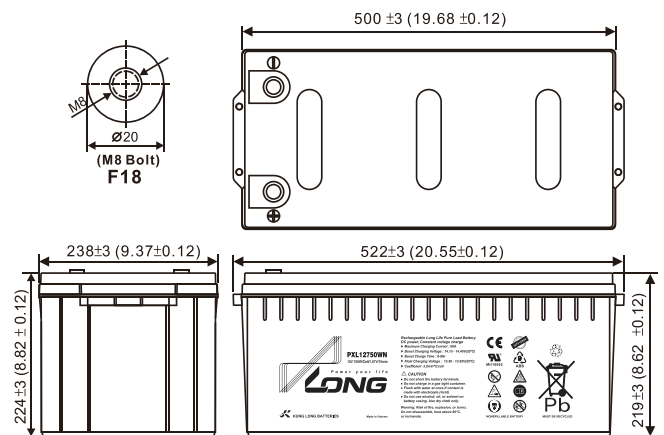
Length (L) 522±3 (20.55±0.12)

Width (W) 238±3 (9.37±0.12)

Height (H) 219±3 (8.62±0.12)

Overall Height (HT) 224±3 (8.82±0.12)

mm(inch)



#### Terminal

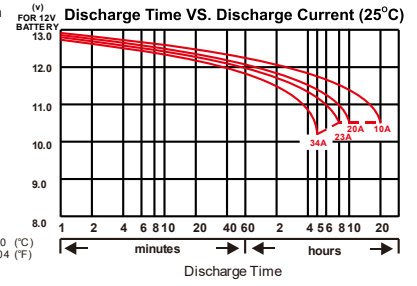
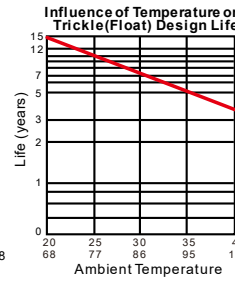
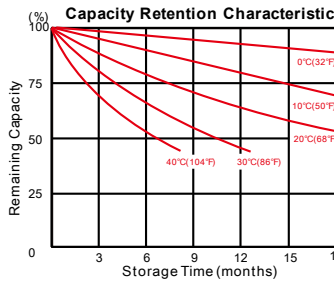
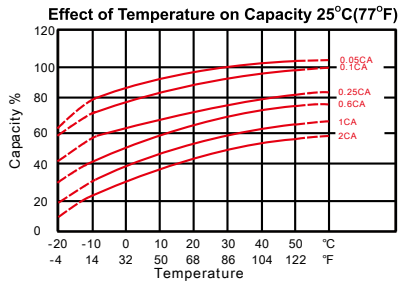
F18

Recommended torque value M8: 12 N-m (122 kgf-cm)

Maximum allowable torque value M8: 20 N-m (204 kgf-cm)

#### Design Life

15 years



### PERFORMANCE DATA

#### Discharge Rates in Watts to Various End Voltages at 25°C(77°F)

End Voltage		1.85V	1.80V	1.75V	1.70V	1.67V	1.65V	1.60V
Time								
5	min	800	910	1000	1090	1130	1170	1200
8	min	710	780	845	900	935	970	1000
10	min	645	720	790	850	875	900	920
15	min	619	662	702	734	750	755	759
20	min	523	558	583	601	617	630	638
30	min	397	423	439	449	454	457	460
45	min	297	313	326	334	340	345	349
60	min	210	218	224	229	232	235	238
90	min	165	168	170	171	172	172	173
120	min	130	136	140	142	143	144	145
180	min	92.5	95.9	98.8	100	101	102	103
240	min	77.5	79.1	80.5	81.3	81.8	82.0	82.2
300	min	65.8	67.6	69.2	69.7	70.0	70.2	70.4
480	min	42.8	46.4	49.0	49.8	50.1	50.3	50.5
600	min	38.5	39.7	40.5	40.7	40.8	40.9	41.0
1200	min	20.2	20.8	21.3	21.4	21.4	21.5	21.5

#### Discharge Rates in Amperes to Various End Voltages at 25°C(77°F)

End Voltage		1.85V	1.80V	1.75V	1.70V	1.67V	1.65V	1.60V
Time								
5	min	425	495	560	620	655	690	710
8	min	355	415	465	510	545	575	600
10	min	335	390	435	475	500	525	540
15	min	320	355	387	413	430	444	456
20	min	274	295	310	324	335	345	353
30	min	191	198	205	211	214	217	219
45	min	142	152	156	159	161	162	163
60	min	116	119	121	123	124	125	126
90	min	80.5	87.0	92.5	95.0	96.5	97.5	98.0
120	min	68.5	71.3	73.5	74.7	75.1	75.2	75.3
180	min	45.8	48.6	50.9	51.4	51.7	51.9	52.0
240	min	37.8	39.1	40.2	40.6	40.8	40.9	41.0
300	min	32.0	33.2	34.0	34.3	34.5	34.6	34.7
480	min	20.0	21.6	23.0	23.4	23.6	23.7	23.8
600	min	18.6	19.4	20.0	20.1	20.2	20.2	20.3
1200	min	9.58	9.84	10.0	10.2	10.3	10.4	10.4

All data on the spec. sheet is an average value:

The tolerance range : X<6min(+15%~-15%), 6min≤X<10min(+12%~-12%), 10min≤X<60min(+8%~-8%), X≥60min(+5%~-5%)

021225-1C