

### ⚡ Specifications

#### Nominal Voltage(V)

12V

#### Nominal Capacity

20 hour rate	(1.75A to 10.50V)	35Ah
10 hour rate	(3.325A to 10.50V)	33.25Ah
5 hour rate	(5.95A to 10.20V)	29.75Ah
1 C	(35A to 9.60V)	19.83Ah
3 C	(105A to 9.60V)	14Ah

#### Weight

Approx. 10.5kg(23.1Lbs.)

#### Internal Resistance (at 1KHz)

Approx. 7.2mΩ

#### Maximum Discharge Current for

5 seconds: 525A

#### Charging Methods at 25°C(77°F)

Cycle use:	
Charging Voltage	14.4 to 15.0V
Coefficient -5.0mV/°C/cell	
Maximum Charging Current :	10.5A
Standby use:	
Float Charging Voltage	13.5 to 13.8V
Coefficient -3.0mV/°C/cell	

#### Operating Temperature Range

Charge	-15°C(5°F) to 40°C(104°F)
Discharge	-15°C(5°F) to 50°C(122°F)
Storage	-15°C(5°F) to 40°C(104°F)

#### Charge Retention (shelf life) at 20°C(68°F)

1 month	97%
3 month	92%
6 month	85%

#### Case Material

ABS UL94 HB  
Option: Flammability resistance of (UL94 V-0)

#### Terminal

F8



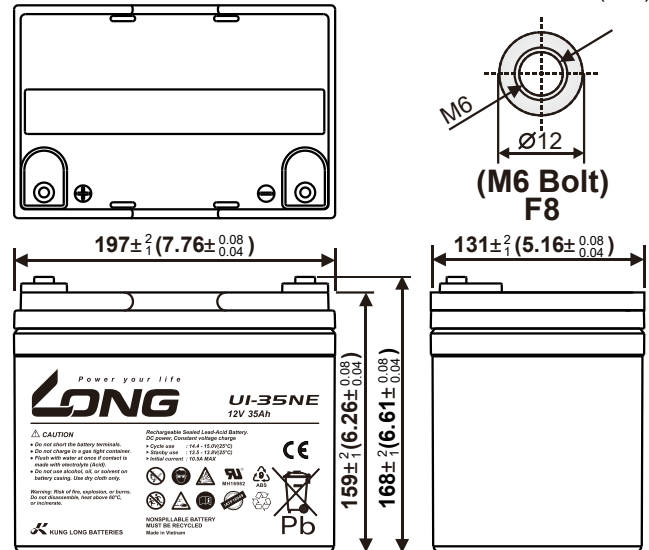
### ⚡ Dimensions

Length (L)	197± <sup>2</sup> <sub>1</sub> (7.76± <sup>0.08</sup> <sub>0.04</sub> )
Width (W)	131± <sup>2</sup> <sub>1</sub> (5.16± <sup>0.08</sup> <sub>0.04</sub> )
Height (H)	159± <sup>2</sup> <sub>1</sub> (6.26± <sup>0.08</sup> <sub>0.04</sub> )
Overall Height (HT)	168± <sup>2</sup> <sub>1</sub> (6.61± <sup>0.08</sup> <sub>0.04</sub> )

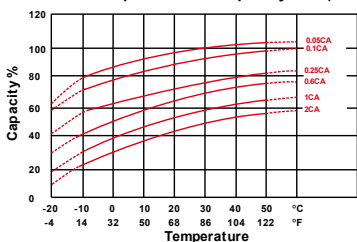
#### Description of torque value of hardware for the terminals:

Recommended torque value	M6: 7 N-m (71 kgf-cm)
Maximum allowable torque value	M6: 10 N-m (102 kgf-cm)

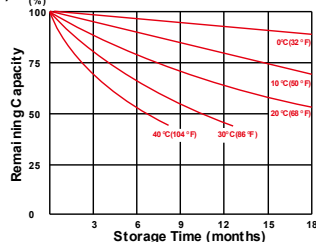
mm(inch)



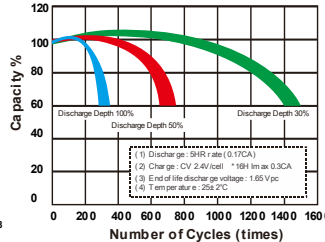
Effect of Temperature on Capacity 25C(77°F)



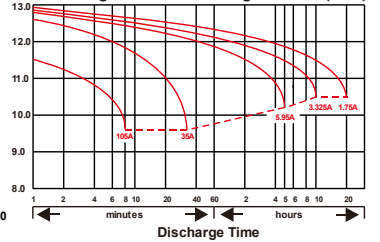
Capacity Retention Characteristic



Cycle Service Life



Discharge Time VS. Discharge Current (25°C)



170326-1E