

⚡ Specifications

Nominal Voltage(V)

12V

Nominal Capacity

20 hour rate	(5A	to	10.50V)	100Ah
10 hour rate	(9.5A	to	10.50V)	95Ah
5 hour rate	(17A	to	10.20V)	85Ah
1C	(100A	to	9.60V)	53.3Ah
3C	(300A	to	9.60V)	35.0Ah

Weight

Approx. 27.6kg(60.7Lbs.)

Internal Resistance (at 1KHz)

Approx. 5.5 mΩ

Maximum Discharge Current for

5 seconds:1100A

Charging Methods at 25°C(77°F)

Maximum Charging Current :	30A
Standby use:	
Float Charging Voltage	13.5 to 13.8V
Coefficient -3.0mV/°C/cell	

Operating Temperature Range

Charge	-15°C(5°F)	to	40°C(104°F)
Discharge	-15°C(5°F)	to	50°C(122°F)
Storage	-15°C(5°F)	to	40°C(104°F)

Charge Retention (shelf life) at 20°C(68°F)

1 month	98%
3 month	94%
6 month	85%

Case Material

ABS UL94 HB
Option: Flammability resistance of (UL94 V-0)

Design Life

EUROBAT(20°C) : 10/12 YEARS LONG LIFE

Terminal

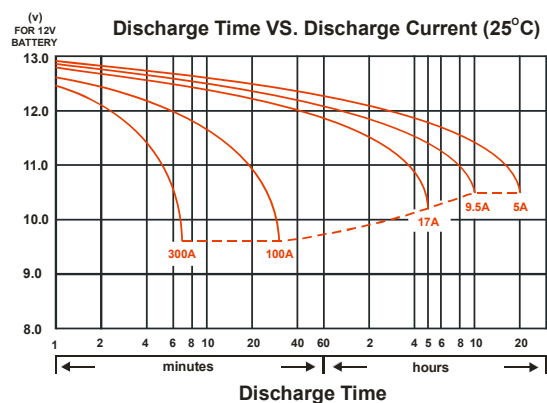
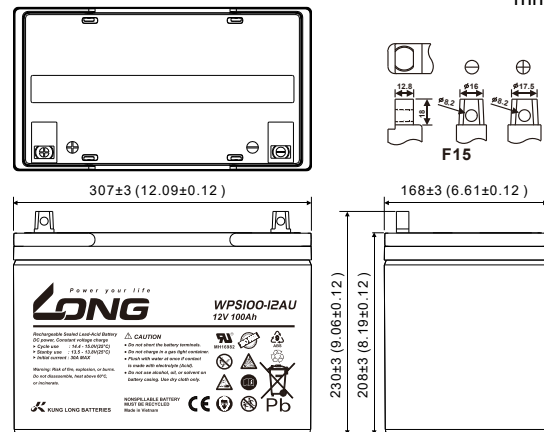
F15



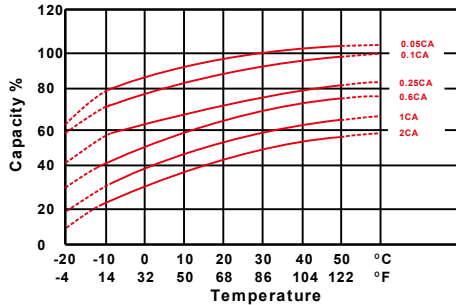
⚡ Dimensions

Length (L)	307±3 (12.09±0.12)
Width (W)	168±3 (6.61±0.12)
Height (H)	208±3 (8.19±0.12)
Overall Height (HT)	230±3 (9.06±0.12)

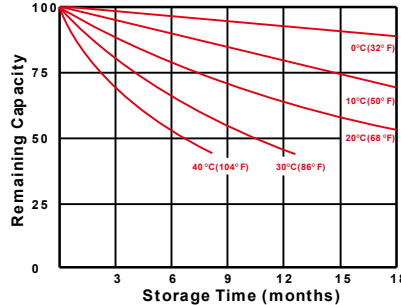
mm(inch)



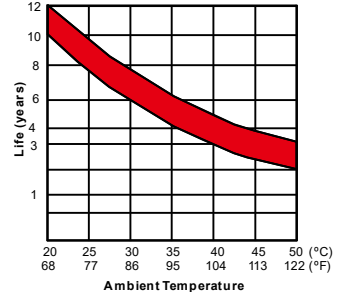
Effect of Temperature on Capacity 25°C(77°F)



Capacity Retention Characteristic



Influence of Temperature on Trickle(Float) Design Life



- PERFORMANCE DATA

Discharge Rates in Watts to Various End Voltages at 25°C(77°F)

End Voltage		1.85V	1.80V	1.75V	1.70V	1.67V	1.65V	1.60V
Time								
10	min	340	365	385	410	430	434	437
15	min	295	320	342	352	362	370	375
30	min	185	190	195	202	212	226	236
60	min	105	107	109	110	112	113	115
120	min	66.5	68.8	69.4	70.4	71.4	72.0	73.1
180	min	49.0	49.5	50.0	50.6	51.1	51.6	52.0
240	min	37.8	39.4	41.0	42.6	43.6	44.4	45.0
300	min	34.5	34.9	35.2	35.6	36.3	36.7	37.0
480	min	22.9	23.1	23.2	23.4	23.6	23.7	23.9
600	min	18.7	18.8	18.9	19.0	19.2	19.3	19.4
1200	min	9.50	9.90	10.1	10.3	10.4	10.5	10.6

- Discharge Rates in Amperes to Various End Voltages at 25°C(77°F)

End Voltage		1.85V	1.80V	1.75V	1.70V	1.67V	1.65V	1.60V
Time								
10	min	174	199	220	240	259	265	270
15	min	150	165	175	188	200	203	205
30	min	97.0	100	102	105	107	109	110
60	min	52.8	60.0	60.4	60.8	61.3	61.7	62.0
120	min	33.2	33.6	34.0	34.4	34.7	35.0	35.2
180	min	26.0	26.6	27.1	27.8	28.4	29.0	29.5
240	min	19.0	20.5	21.3	21.4	21.4	21.5	21.5
300	min	15.6	16.5	17.1	17.2	17.4	17.5	17.6
480	min	10.7	11.2	11.6	11.7	11.8	11.8	11.9
600	min	9.15	9.58	10.00	10.0	10.1	10.1	10.1
1200	min	4.93	4.96	5.00	5.05	5.10	5.14	5.20

All data on the spec. sheet is an average value:

The tolerance range : X<6min(+15%~-15%), 6min ≤ X<10min(+12%~-12%), 10min ≤ X < 60min(+8%~-8%), X ≥ 60min(+5%~-5%)

151025-1C