

⚡ Specifications

Nominal Voltage(V)

12V

Nominal Capacity

20 hour rate	(3.75A to 10.50V)	75Ah
10 hour rate	(7.125A to 10.50V)	71.25Ah
5 hour rate	(12.75A to 10.20V)	63.75Ah
1 C	(75A to 9.60V)	40Ah
3 C	(225A to 9.60V)	26.25Ah

Weight

Approx. 22.5kg(49.5Lbs.)

Internal Resistance (at 1KHz)

Approx. 6 mΩ

Maximum Discharge Current for

5 seconds: 900A

Charging Methods at 25°C(77°F)

Maximum Charging Current :	22.5A
Standby use:	
Float Charging Voltage	13.5 to 13.8V
Coefficient -3.0mV/°C/cell	

Operating Temperature Range

Charge	-15°C(5°F) to 40°C(104°F)
Discharge	-15°C(5°F) to 50°C(122°F)
Storage	-15°C(5°F) to 40°C(104°F)

Charge Retention (shelf life) at 20°C(68°F)

1 month	98%
3 month	94%
6 month	85%

Case Material

ABS UL94 HB
Option: Flammability resistance of (UL94 V-0)

Design Life

EUROBAT(20°C) : 10/12 YEARS LONG LIFE

Terminal

F15



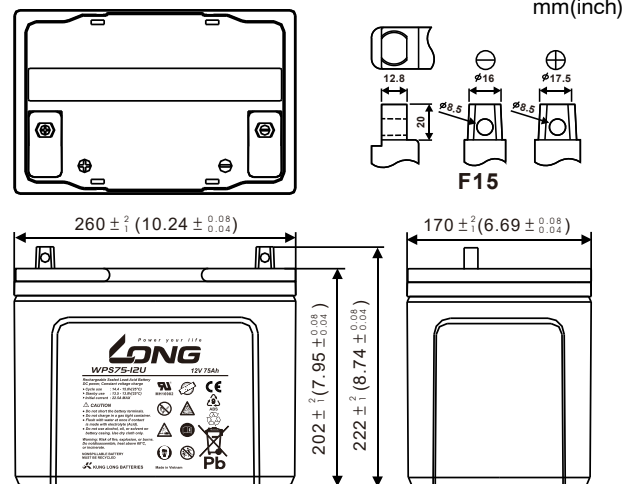
⚡ Dimensions

Length (L) $260 \pm 1 (10.24 \pm 0.04)$

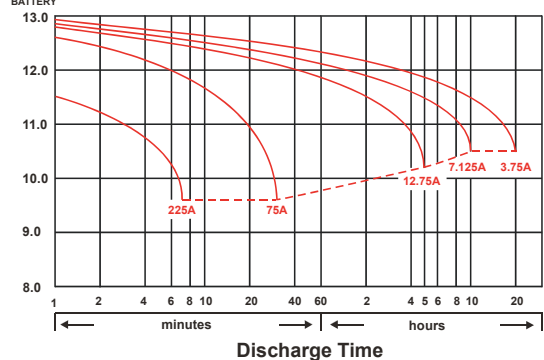
Width (W) $170 \pm 1 (6.69 \pm 0.04)$

Height (H) $202 \pm 1 (7.95 \pm 0.04)$

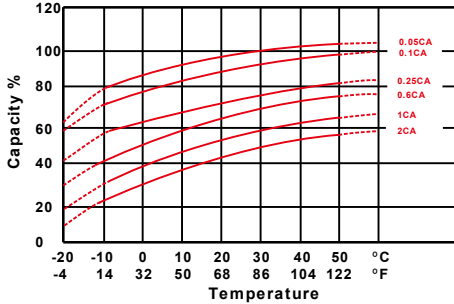
Overall Height (HT) $222 \pm 1 (8.74 \pm 0.04)$



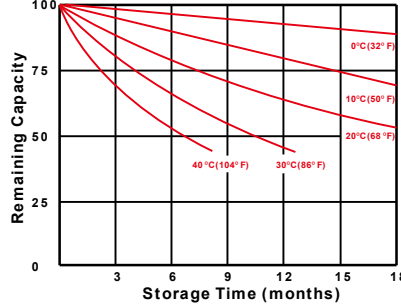
(V) FOR 12V BATTERY Discharge Time VS. Discharge Current (25°C)



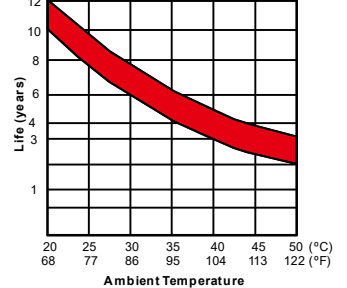
Effect of Temperature on Capacity 25°C(77°F)



Capacity Retention Characteristic



Influence of Temperature on Trickle(Float) Design Life



- PERFORMANCE DATA

Discharge Rates in Watts to Various End Voltages at 25°C(77°F)

End Voltage		1.85V	1.80V	1.75V	1.70V	1.67V	1.65V	1.60V
10	min	332	352	370	384	391	397	400
15	min	260	278	291	297	300	302	304
30	min	140	152	160	165	168	170	171
45	min	107	113	117	119	120	121	122
60	min	85.5	88.0	90.1	90.9	91.3	91.6	91.9
90	min	62.3	64.4	66.3	67.8	68.2	68.3	68.4
120	min	48.9	52.2	54.0	55.0	55.3	55.5	55.6
180	min	35.3	36.5	37.3	37.8	38.1	38.4	38.6
240	min	28.2	29.0	29.6	30.1	30.4	30.6	30.7
300	min	23.7	24.1	24.4	24.7	24.9	25.0	25.1
480	min	15.7	16.1	16.3	16.5	16.6	16.7	16.7
600	min	13.4	13.8	14.1	14.3	14.4	14.5	14.5
1200	min	7.38	7.48	7.55	7.60	7.64	7.67	7.69

- Discharge Rates in Amperes to Various End Voltages at 25°C(77°F)

End Voltage		1.85V	1.80V	1.75V	1.70V	1.67V	1.65V	1.60V
10	min	185	200	210	219	226	231	234
15	min	135	146	155	162	167	172	176
30	min	70.0	75.5	80.5	85.0	88.5	91.5	94.0
45	min	52.5	56.2	59.5	62.0	64.0	65.5	66.5
60	min	42.2	44.0	45.5	46.7	47.5	48.1	48.5
90	min	30.0	32.5	34.4	35.4	36.0	36.3	36.5
120	min	23.5	27.7	30.0	30.2	30.3	30.4	30.5
180	min	17.2	18.2	19.0	19.6	20.0	20.3	20.5
240	min	14.0	14.7	15.2	15.4	15.5	15.6	15.7
300	min	11.8	12.4	12.8	12.9	13.0	13.1	13.1
480	min	8.00	8.35	8.65	8.90	9.04	9.13	9.22
600	min	6.80	7.07	7.30	7.38	7.43	7.47	7.50
1200	min	3.58	3.68	3.76	3.78	3.79	3.80	3.81

All data on the spec. sheet is an average value:

The tolerance range : X<6min(+15%~-15%), 6min ≤ X<10min(+12%~-12%), 10min ≤ X < 60min(+8%~-8%), X ≥ 60min(+5%~-5%)