

⚡ Specifications

Nominal Voltage(V)

12V

Nominal Power

15 mins rate: 420W/cell to 1.67V/cell

Nominal Capacity

20 hour rate	(5.5A to 10.50V)	110Ah
10 hour rate	(10.45A to 10.50V)	104.5Ah
8 hour rate	(12.65A to 10.50V)	101.2 Ah
5 hour rate	(18.7A to 10.20V)	93.5Ah

Weight

Approx. 34kg(74.8lbs.)

Internal Resistance (at 1KHz)

Approx. 3.9 mΩ

Maximum Discharge Current for

5 seconds: 1210A

Short Circuit Current (A) IEC 60896-21-22

3660A

Charging Methods at 25°C(77°F)

Maximum Charging Current :	33A
Boost Charging Voltage	14.1 to 14.4V
Boost Charge Time	8-9Hr
Float Charging Voltage	13.5 to 13.65V
Coefficient	-3.0mV/°C/cell

Operating Temperature Range

Charge	-15°C(5°F) to 40°C(104°F)
Discharge	-15°C(5°F) to 50°C(122°F)
Storage	-15°C(5°F) to 40°C(104°F)

Charge Retention (shelf life) at 20°C(68°F)

1 month	98%
3 month	96%
6 month	94%

Case Material

ABS UL94 HB

Option: Flammability resistance of (UL94 V-0)

Battery Construction

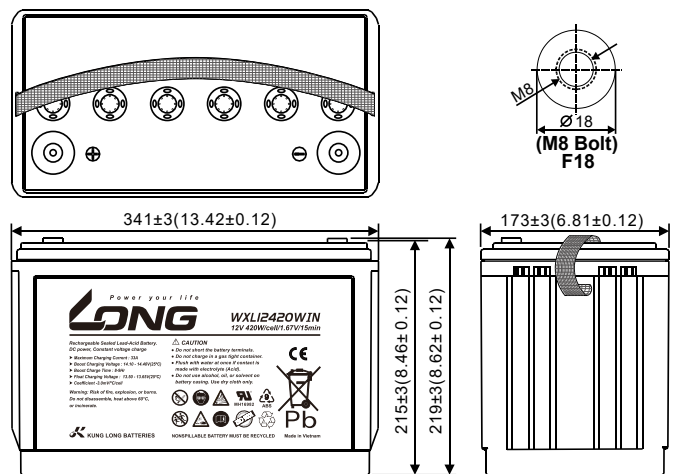
Component	Positive Plate	Negative plate	Safety valve	Terminal	Separator	Electrolyte
Raw material	Lead dioxide	Lead	Rubber	Copper	AGM	Sulfuric acid



⚡ Dimensions

Length (L)	341±3(13.43±0.12)
Width (W)	173±3(6.81±0.12)
Height (H)	215±3 (8.46±0.12)
Overall Height (HT)	219±3 (8.62±0.12)

mm(inch)



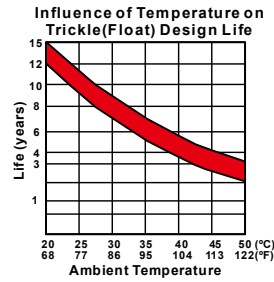
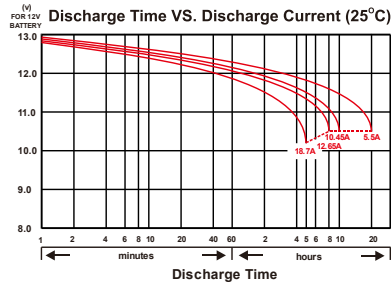
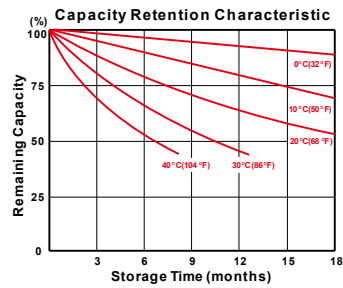
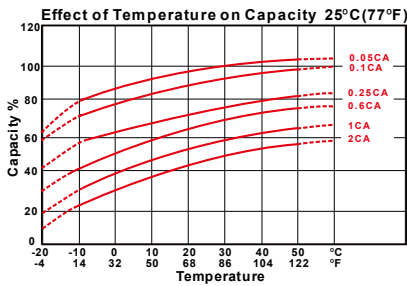
Terminal

F18

Recommended torque value	M8: 12N-m (122 kgf-cm)
Maximum allowable torque value	M8: 20N-m (204 kgf-cm)

Design Life

EUROBAT(20°C) : > 12 YEARS VERY LONG LIFE



- PERFORMANCE DATA

Discharge Rates in Watts to Various End Voltages at 25°C(77°F)

End Voltage		1.85V	1.80V	1.75V	1.70V	1.67V	1.65V	1.60V
2	min	674	768	857	925	986	1040	1077
4	min	620	699	756	796	831	860	890
5	min	594	655	716	753	781	800	810
8	min	485	528	562	586	602	607	611
10	min	441	477	502	519	531	543	553
15	min	352	400	415	418	420	422	425
30	min	221	230	236	239	241	242	243
45	min	177	183	187	189	191	193	194
60	min	134	138	140	141	142	142	142
90	min	88.2	91.4	92.9	94.1	94.6	94.9	95.2
120	min	77.8	81.4	82.5	82.6	82.6	82.7	82.7
180	min	58.7	59.7	60.5	61.0	61.3	61.5	61.6
240	min	41.5	41.8	42.4	42.8	43.2	43.6	43.8
300	min	35.7	36.6	37.0	37.3	37.5	37.7	37.9
480	min	22.0	22.6	22.8	22.8	22.9	22.9	23.0
600	min	19.1	19.6	20.0	20.3	20.6	20.8	21.0
1200	min	10.5	10.9	11.1	11.3	11.5	11.6	11.7

- Discharge Rates in Amperes to Various End Voltages at 25°C(77°F)

End Voltage		1.85V	1.80V	1.75V	1.70V	1.67V	1.65V	1.60V
2	min	360	439	491	534	563	592	616
4	min	312	390	450	486	512	529	550
5	min	309	372	409	438	463	482	500
8	min	252	283	307	319	328	336	342
10	min	225	250	270	281	289	295	302
15	min	186	196	204	213	219	226	233
30	min	114	117	120	122	124	126	128
45	min	87.2	90.8	93.1	94.7	96.0	96.9	97.9
60	min	66.0	67.5	68.9	70.2	71.5	72.7	73.6
90	min	45.5	50.6	53.2	54.1	54.6	54.9	55.2
120	min	39.5	41.7	43.1	43.3	43.4	43.5	43.6
180	min	24.7	27.1	28.3	28.8	28.9	29.0	29.1
240	min	21.1	21.6	22.2	22.9	23.4	23.6	23.8
300	min	16.9	17.2	17.9	18.7	18.7	18.7	18.8
480	min	11.6	12.1	12.2	12.3	12.4	12.4	12.5
600	min	9.75	10.2	10.5	10.7	10.8	10.8	10.9
1200	min	5.10	5.33	5.50	5.51	5.51	5.52	5.52

All data on the spec. sheet is an average value:

The tolerance range : $X < 6\text{min}$ (+15%~-15%), $6\text{min} \leq X < 10\text{min}$ (+12%~-12%), $10\text{min} \leq X < 60\text{min}$ (+8%~-8%), $X \geq 60\text{min}$ (+5%~-5%)

250226-1A